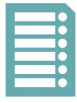
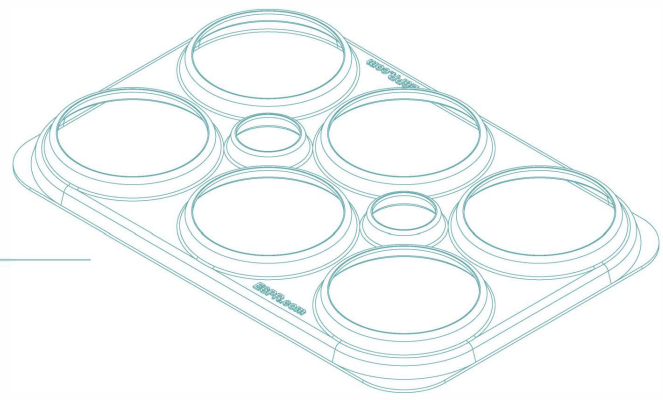


# E6PR<sup>®</sup>

## ECO SIX PACK RING

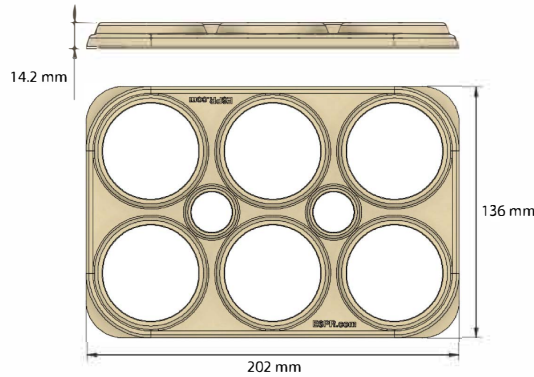


### Spec sheet - E6PR-VC4d

#### 202 Standard Six Pack Ring

### Product description: E6PR-VC4d

Compostable and biodegradable can holder to carry six aluminum cans.



Designed for 12oz standard can with 202 end.

52 mm lid diameter  
66 mm body diameter  
122 - 129 mm can height



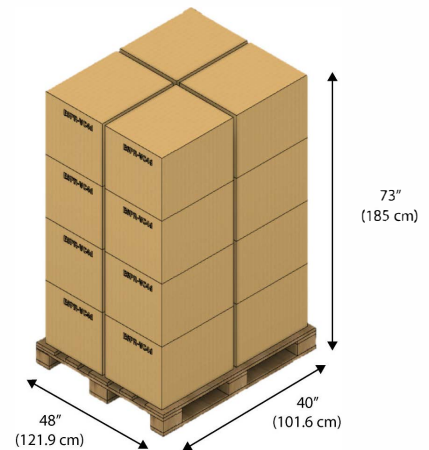
### Product characteristics:

Material: Straw from natural fibers  
Color: Unbleached (BROWN)  
Odor: None  
Temperature resistance: -15 °C to 93 °C  
Weight: 18.0 grams<sup>1</sup>  
Size: 202 x 136 x 14.2 mm

#### PERFORMANCE:

Designed to withstand moisture and condensation required on this type of packaging.  
Works similar to plastic solutions.

### Pallet configuration:



16 cases per pallet

### Packaging characteristics:

Pieces per case: 1000  
Case weight: 20 kg (44 lb)<sup>1</sup>  
Case size: 56 x 45 x 42.5 cm (22 x 17.7 x 16.7 in)

<sup>1</sup> 2021 - New carton size



### Storage characteristics:

Store in a warehouse with no exposure to humidity, sun and dust conditions.  
Shelf life of 5 years under the above warehouse conditions.  
The product won't start the biodegradation process until it reaches a soil, water or compost ambient.

<sup>1</sup> Weight tolerances +/- 5%



The sustainable way of handling cans