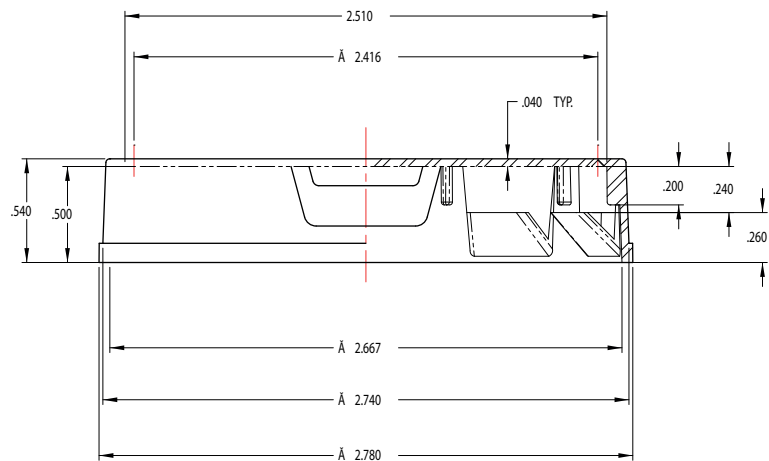
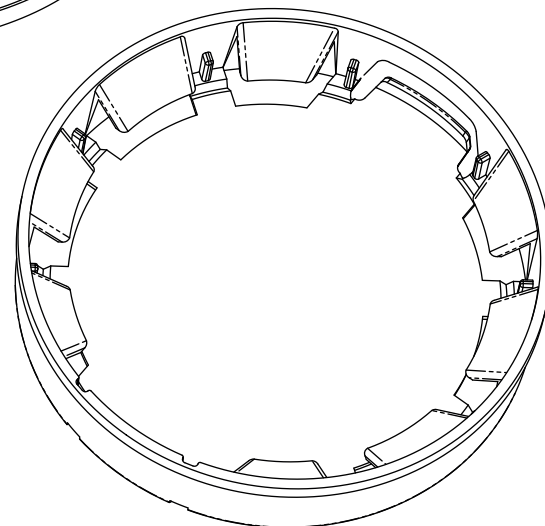
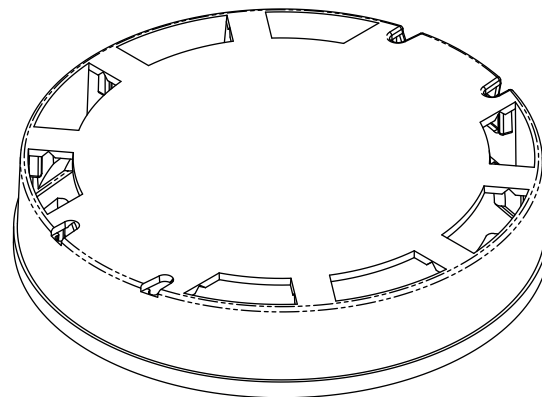
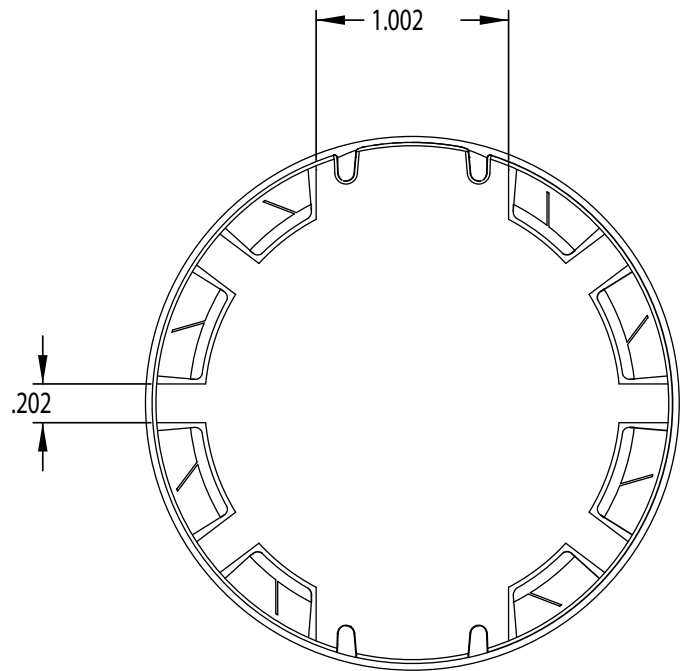


Model "A" Tamper-evident Keg cap (D-type; 63mm.)



INNOVAPLAST

2325, Boul. des Entreprises
Terrebonne, Québec, J6X 4J9

Tél: 450 477-4005
info@innovaplast.com
www.innovaplast.com

Product #:	Keg Seal A
Cap weight (grams):	7,3 grams.
Wall thickness (mm):	1.0 mm (wall)
Outside dimensions:	70 mm
Inside dimensions:	63 mm
Keg valve type:	D type American Sankey
Keg cap units per box:	2100 units
Total box weight(kg):	16,00 Kg
Raw material:	FDA Polypropylene (PP05) 100% recyclable.