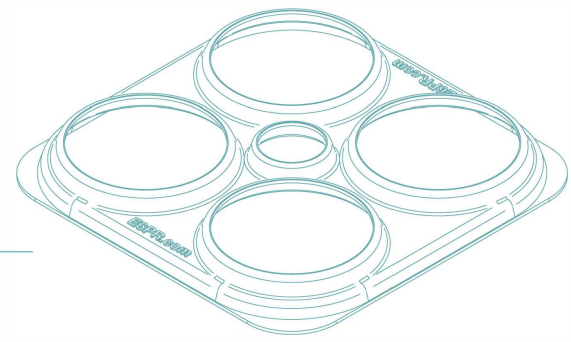


# E6PR<sup>®</sup>

## ECO SIX PACK RING



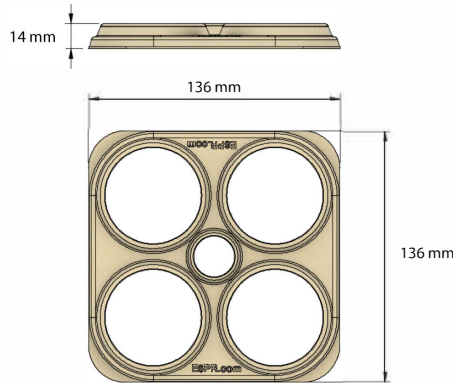
### Product: E4PR - VC2d

#### Spec sheet - 202 Standard Four Pack Ring

#### Product description:

Compostable and biodegradable can holder to carry four aluminum cans.

Designed for 12oz and 16 oz standard can with 202 end.



52 mm lid diameter  
66 mm body diameter  
122 - 129 mm can height

52 mm lid diameter  
66 mm body diameter  
168 mm can height

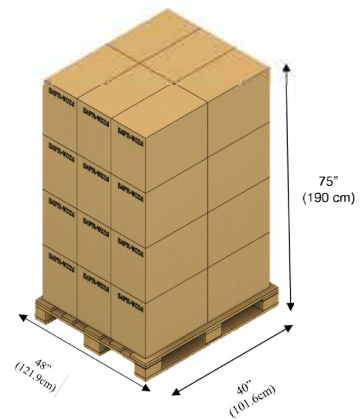
#### Product characteristics:

- Material: Straw from natural fibers
- Color: Unbleached (BROWN)
- Odor: None
- Temperature resistance: -15 °C to 93 °C
- Weight: 16.0 grams<sup>1</sup>
- Size: 136 x 136 x 14 mm

#### PERFORMANCE:

Designed to withstand moisture and condensation required on this type of packaging- Works similar to plastic solutions.

#### Pallet configuration:



24 cases per pallet

#### Packaging characteristics:

- Pieces per case: 900
- Case weight: 16.2 kg<sup>1</sup>
- Case size: 56 x 31 x 43 cm
- A B C



#### Storage characteristics:

- Store in a warehouse with no exposure to humidity, sun and dust conditions.
- Shelf life of 5 years under the above warehouse conditions.
- The product won't start the biodegradation process until it reaches a soil, water or compost ambient.

<sup>1</sup> Weight tolerances +/- 5%

