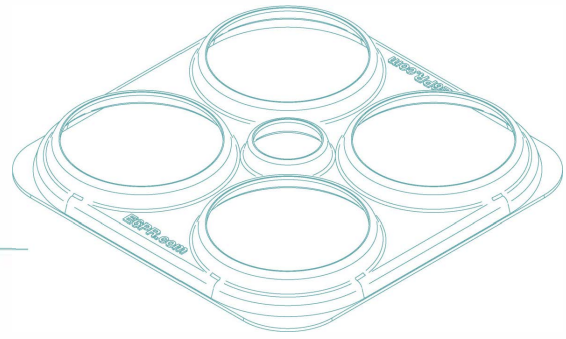


E6PR[®]

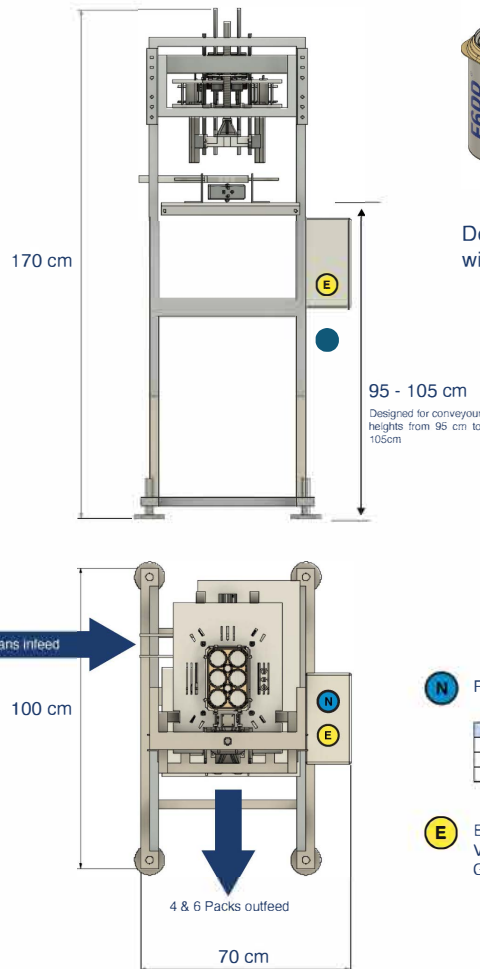
ECO SIX PACK RING



Spec sheet - Mid-Speed Applicator

Product description:

Mid-speed automatic applicator. Automatic product feeder.
Runs at up to 100 cans per minute.



4 Packs

6 Packs



Designed for 12oz and 16 oz standard can with 202 end.



12oz

52 mm lid diameter
66 mm body diameter
122 - 129 mm can height

16oz

52 mm lid diameter
66 mm body diameter
168 mm can height

N Pneumatic work pressure: 90-100 Psi

| Cans per Minute | Air Consumption | | Pressure |
|-----------------|-----------------|-----------|----------|
| | (L/min) | (Gal/min) | |
| 45 | 54.28 | 14.34 | @ 90 Psi |
| 60 | 72.37 | 19.12 | @ 90 Psi |
| 100 | 120.62 | 31.87 | @ 90 Psi |

E Electrical connection
Voltage: 127 /220 V
Ground required

Product characteristics:

- Runs at up to 100 cans per minute
- Automatic product feeder.
- Compatible with 4 & 6 Packs (Changing the feeder).

Video of how it works:

https://youtu.be/NJxRvdy2r_E

Packaging characteristics:

- Pieces per case: 1
- Case weight: 100 kg
- Case size: 120 x 120 x 200 cm



The sustainable way of handling cans